

GLD Global-type Series

Direct Drive Oil-Sealed Rotary Vacuum Pumps

World Wide type

GLD-136A

RoHS compliant CE



Without thermal protector

GLD Global-type Series

Direct Drive Oil-Sealed Rotary Vacuum Pumps

World Wide type

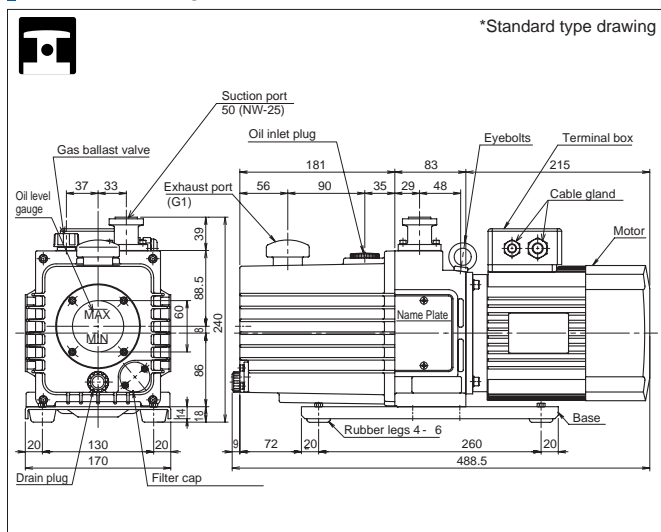
GLD-136C

RoHS compliant CE

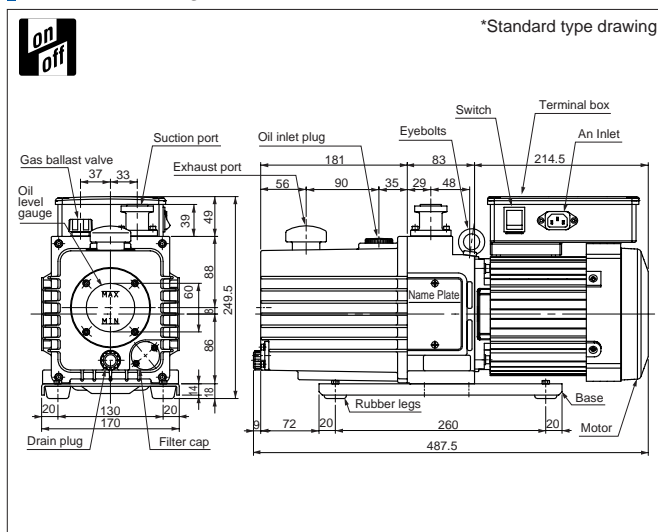


With built-in thermal protector

Outline drawing



Outline drawing



Specifications

		Unit	50Hz	60Hz
Actual pumping speed		L/min.	135	162
Ultimate pressure	G.V. Closed	Pa	6.7×10^{-2}	
	G.V. Open			
Motor		Three phase, 400W, 4 poles, Multiple-range motor AC200-240V/380-460V		
Full load current	50Hz	A	2.6 (200V), 3.0 (240V), 1.5 (380V), 1.7 (415V)	
	60Hz		2.3 (200V), 2.3 (240V), 1.3 (380V), 1.4 (460V)	
Oil capacity	mL	1,000		
Recommended oil		SMR-100		
Weight	kg	24		
Inlet port diameter	mm	KF-25		
Admissible temp range	°C	7 - 40		
Dimensions	mm	170(W) x 488(L) x 約240(H)		

Specifications

		Unit	50Hz	60Hz
Actual pumping speed		L/min.	135	162
Ultimate pressure	G.V. Closed	Pa	6.7×10^{-2}	
	G.V. Open			
Motor		Single phase, 400W, 4 poles, Multiple-range motor AC100V-120V/200-240V		
Full load current	50Hz	A	6.8(100-120V) 5.8(100-120V)	
	60Hz		3.5(200-240V) 2.9(200-240V)	
Oil capacity	mL	1,000		
Recommended oil		SMR-100		
Weight	kg	29		
Inlet port diameter	mm	KF-25		
Admissible temp range	°C	7 - 40		
Dimensions	mm	170(W) x 487.5(L) x 249.5(H)		

Ultimate pressure is measured with Macleod gauge.