

GCD Series

Direct Drive Oil-Sealed Rotary Vacuum Pumps

Chemical type

GCD-051X



With built-in thermal protector

GCD Series

Direct Drive Oil-Sealed Rotary Vacuum Pumps

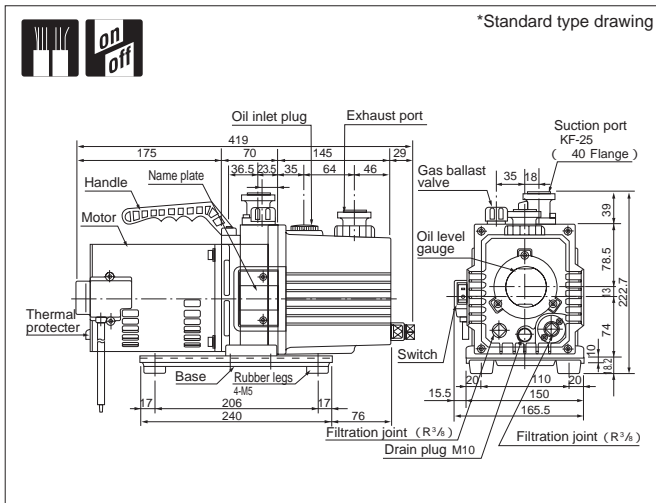
Chemical type

GCD-136X

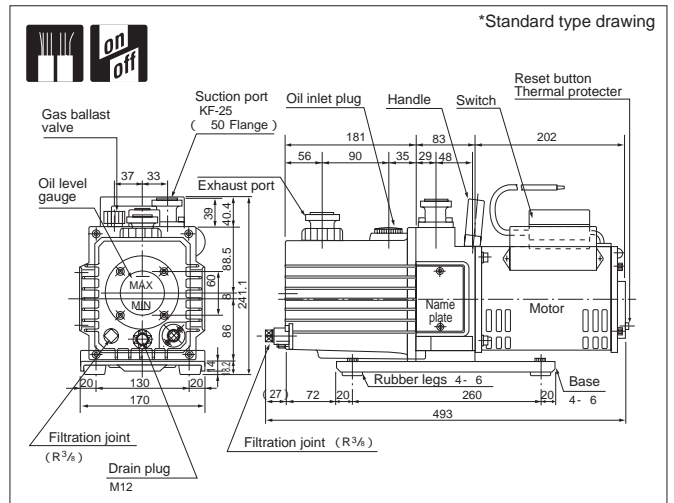


With built-in thermal protector

Outline drawing



Outline drawing



Specifications

		Unit	50Hz	60Hz
Actual pumping speed		L/min.	50	60
Ultimate pressure	G.V. Closed	Pa	6.7×10^{-2}	
	G.V. Open			
Motor		Single phase, 220V(50/60Hz), 200W, 4 poles, split phase starting		
Full load current	A	2.5/2.2 (50/60Hz)		
Oil capacity	mL	500 – 800		
Recommended oil		SO-M		
Weight	kg	14.1		
Inlet port diameter	mm	KF-25		
Admissible temp range	°C	7 – 40		
Dimensions	mm	165.5(W) x 423(L) x 222.7(H)		

Specifications

		Unit	50Hz	60Hz
Actual pumping speed		L/min.	135	162
Ultimate pressure	G.V. Closed	Pa	6.7×10^{-2}	
	G.V. Open			
Motor		Single phase, 220V(50/60Hz) , 400W, 4 poles, Capacitor start & run		
Full load current	A	3.6/2.8 (50/60Hz)		
Oil capacity	mL	1,000		
Recommended oil		SO-M		
Weight	kg	25.4		
Inlet port diameter	mm	KF-25		
Admissible temp range	°C	7 – 40		
Dimensions	mm	170(W) x 493(L) x 241.1(H)		

Optional voltage

Voltage	Applicable Volt	CE Marked	cTUVus Marked
Single phase, 100V	Standard	—	—
Single phase, 115V (60Hz)	●	—	—
Three phase, 200-460V	●	—	—

Optional voltage

Voltage	Applicable Volt	CE Marked	cTUVus Marked
Single phase, 100V	Standard	—	—
Single phase, 220V	●	—	—
Three phase, 200V	●	—	—
Three phase, 200-460V	●	—	—

Ultimate pressure is measured with Macleod gauge.