

DTC Series

Diaphragm Type Dry Vacuum Pump

Chemical type

DTC-60



With built-in thermal protector

DOP Series

Rocking Piston Type Dry Vacuum Pump

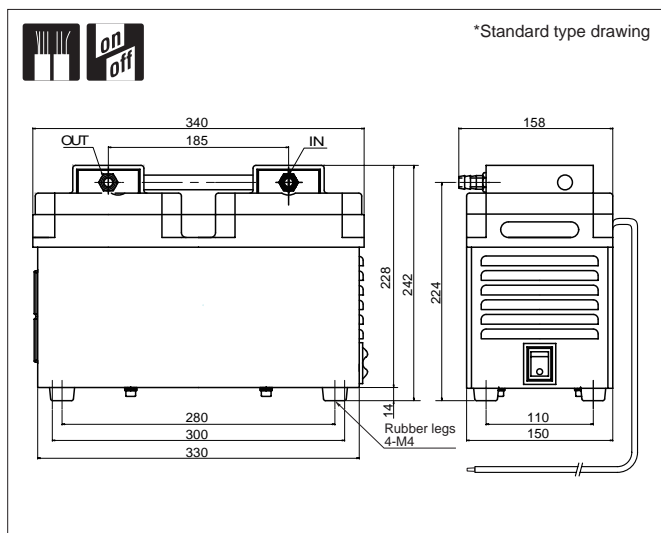
Standard type

DOP-40D



With built-in thermal protector

Outline drawing



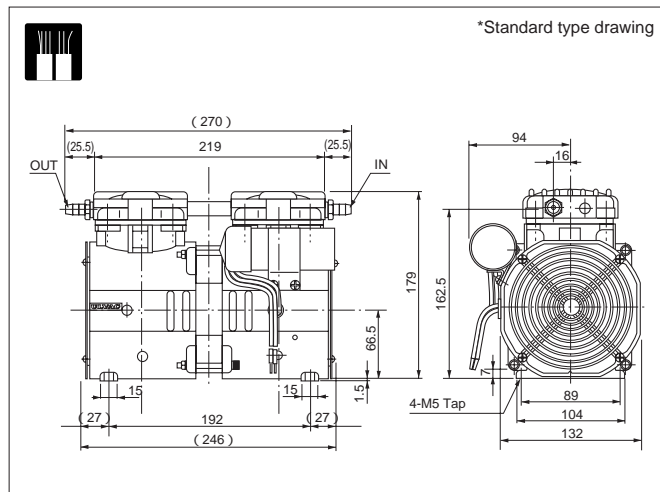
Specifications

	Unit	DTC-60
Actual Pumping Speed	L/min	60/70 (50/60Hz)
Ultimate pressure	Pa	1.0 x 10 ³
Motor		Single phase, 200V, 200W, 4P, Capacitor run
Full load current	A	2.2/2.3 (50/60Hz)
Weight	kg	18.0
Inlet, outlet pipe diameter	mm	O.D. dia.14 x I.D. dia.9 (G3/8)
Admissible temp range	°C	0 – 40
Dimensions	mm	158(W) x 340(L) x 242(H)

Optional voltage

Voltage	Applicable Volt	CE Marked	cTUVus Marked
Single phase, 100V	Standard	—	—
Single phase, 115V	●	—	—
Single phase, 200V	●	—	—
Single phase, 220V	●	—	—

Outline drawing



Specifications

	Unit	DOP-40D
Actual Pumping Speed	L/min.	40/44 (50/60Hz)
Ultimate pressure	Pa	1.2 x 10 ³
Motor		Single phase, 220V, 210W, 4P, Capacitor run
Full load current	A	1.7/1.9 (50/60Hz)
Weight	kg	7.0
Inlet, outlet pipe diameter	mm	O.D. dia.9 x I.D.dia.5 (Rc 1/4)
Admissible temp range	°C	7 – 40
Dimensions	mm	160(W) x 270(L) x 179(H)

Optional voltage

Voltage	Applicable Volt	CE Marked	cTUVus Marked
Single phase, 100V	Standard	—	—
Single phase, 115V	●	—	—
Single phase, 200V	●	—	—
Single phase, 220V	●	—	—