

## DTC Series Diaphragm Type Dry Vacuum Pump

Chemical type

# DTC-41



With built-in thermal protector

## DTC Series Diaphragm Type Dry Vacuum Pump

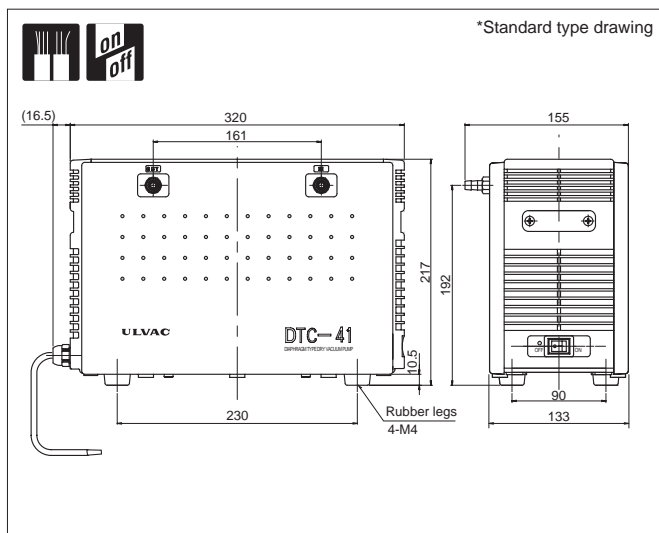
Chemical type

# DTC-60

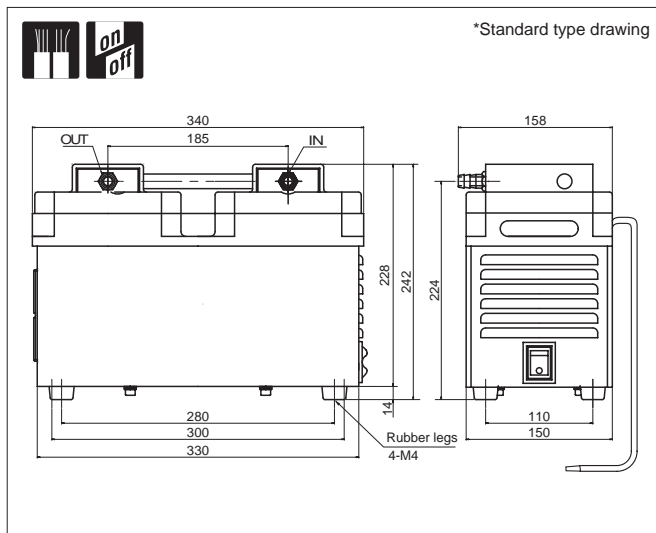


With built-in thermal protector

### Outline drawing



### Outline drawing



### Specifications

	Unit	DTC-41	
Actual Pumping Speed	L/min	40/46 (50/60Hz)	
Ultimate pressure	Pa	1.0 x 10 <sup>3</sup>	
Motor		Single phase, 220V, 100W, 4P, Capacitor run	
Full load current	A	1.10 (50/60Hz)	
Weight	kg	10.3	10.2
Inlet, outlet pipe diameter	mm	O.D. dia.9 x I.D. dia.6 (G1/4)	
Admissible temp range	°C	0 - 40	
Dimensions	mm	155(W) x 336.5(L) x 217(H)	136(W) x 288(L) x 202(H)

### Specifications

	Unit	DTC-60	
Actual Pumping Speed	L/min	60/70 (50/60Hz)	
Ultimate pressure	Pa	1.0 x 10 <sup>3</sup>	
Motor		Single phase, 200V, 200W, 4P, Capacitor run	
Full load current	A	2.2/2.3 (50/60Hz)	
Weight	kg	18.0	
Inlet, outlet pipe diameter	mm	O.D. dia.14 x I.D. dia.9 (G3/8)	
Admissible temp range	°C	0 - 40	
Dimensions	mm	158(W) x 340(L) x 242(H)	

### Optional voltage

Voltage	Applicable Volt	CE Marked	cTUVus Marked
Single phase, 100V	Standard	●	—
Single phase, 115V	●	—	—
Single phase, 200V	●	—	—
Single phase, 220V	●	—	—

### Optional voltage

Voltage	Applicable Volt	CE Marked	cTUVus Marked
Single phase, 100V	Standard	—	—
Single phase, 115V	●	—	—
Single phase, 200V	●	—	—
Single phase, 220V	●	—	—