

DA Series

Diaphragm Type Dry Vacuum Pump

Standard type

DA-241S

CE



With built-in thermal protector

DAT Series

Diaphragm Type Dry Vacuum Pump

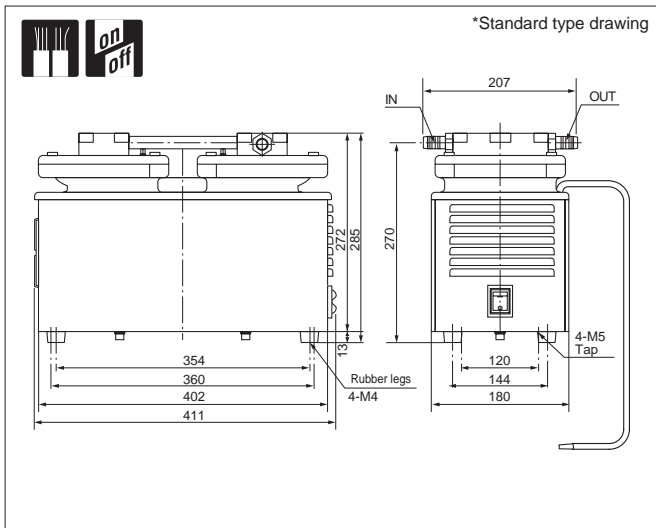
Standard type

DAT-50D

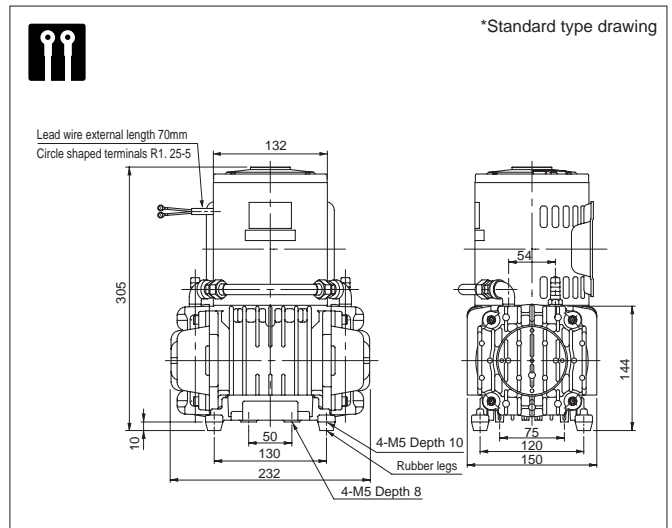


With built-in thermal protector

Outline drawing



Outline drawing



Specifications

	Unit	DA-241S
Actual Pumping Speed	L/min.	240/260 (50/60Hz)
Ultimate pressure	Pa	16.0 x 10 ⁵
Motor		Single phase, 220V, 400W, 4P, Capacitor run
Full load current	A	3.0
Weight	kg	26.0
Inlet, outlet pipe diameter	mm	O.D. dia.16 x I.D.dia.12 (G1/2)
Admissible temp range	°C	0 – 40
Dimensions	mm	207(W) x 411(L) x 285(H)

Specifications

	Unit	DAT-50D
Actual Pumping Speed	L/min.	50/55 (50/60Hz)
Ultimate pressure	Pa	3.3 x 10 ⁵
Motor		Single phase, 220V, 200W, 4P, Split phase starting
Full load current	A	2.6/2.2 (50/60Hz)
Weight	kg	11.0
Inlet, outlet pipe diameter	mm	O.D. dia.12 x I.D.dia.8 (Rc 1/4)
Admissible temp range	°C	7 – 40
Dimensions	mm	150(W) x 232(L) x 305(H)

Optional voltage

Voltage	Applicable Volt	CE Marked	cTUVus Marked
Single phase, 100V	Standard	●	—
Single phase, 115V	●	—	—
Single phase, 200V	●	●	—
Single phase, 220V	●	—	—

Optional voltage

Voltage	Applicable Volt	CE Marked	cTUVus Marked
Single phase, 100V	Standard	—	—
Single phase, 115V	●	—	—
Single phase, 200V	●	—	—
Single phase, 220V	●	—	—